

8

7

6

5

4

3

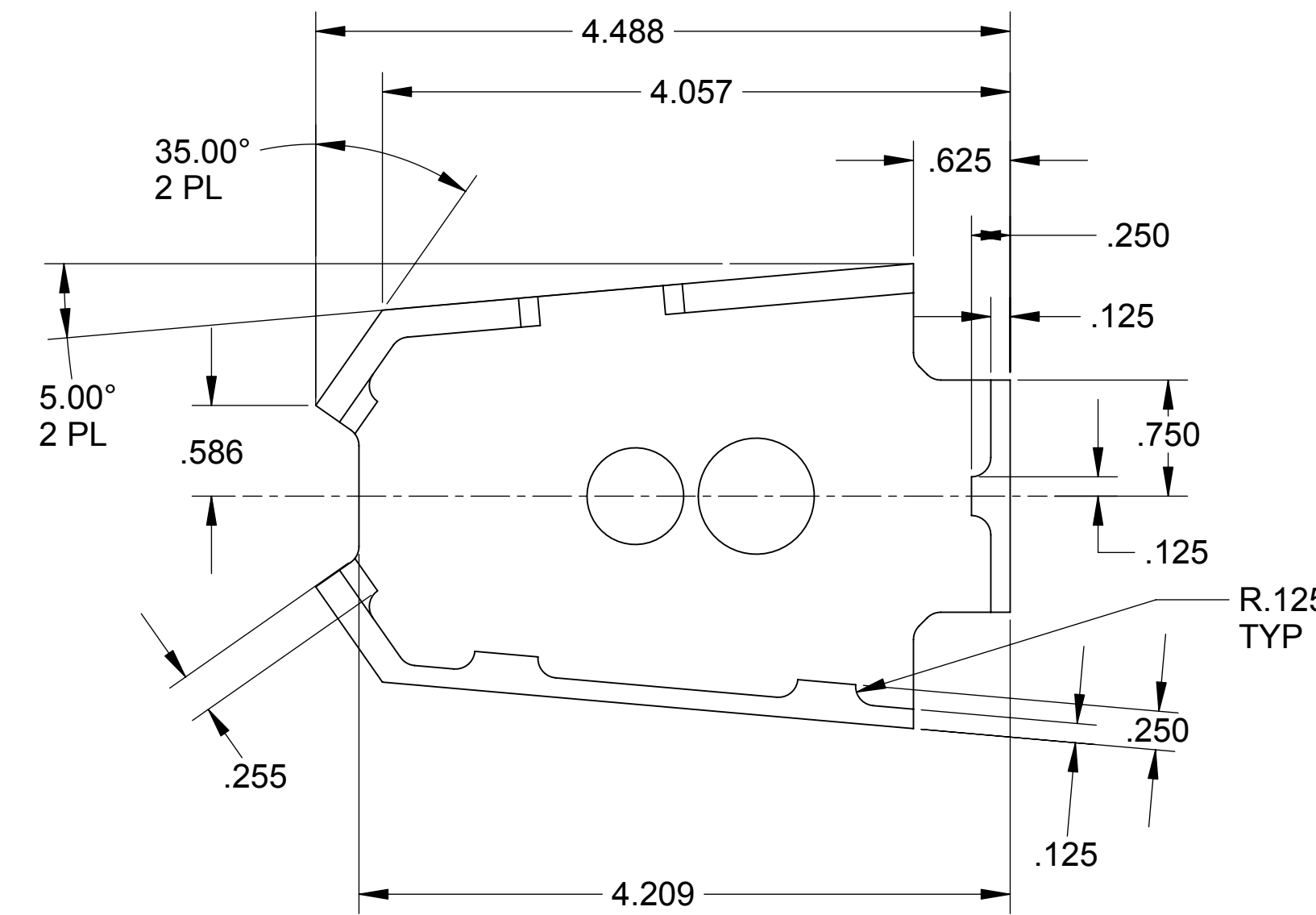
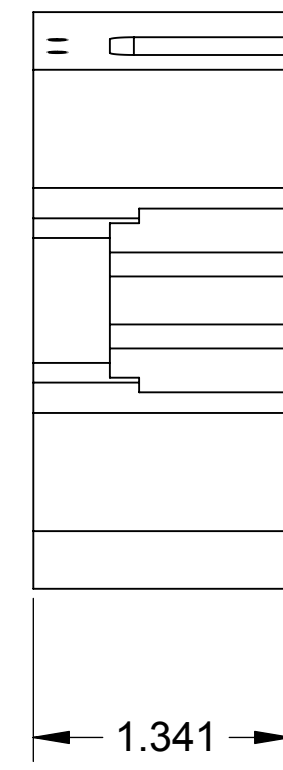
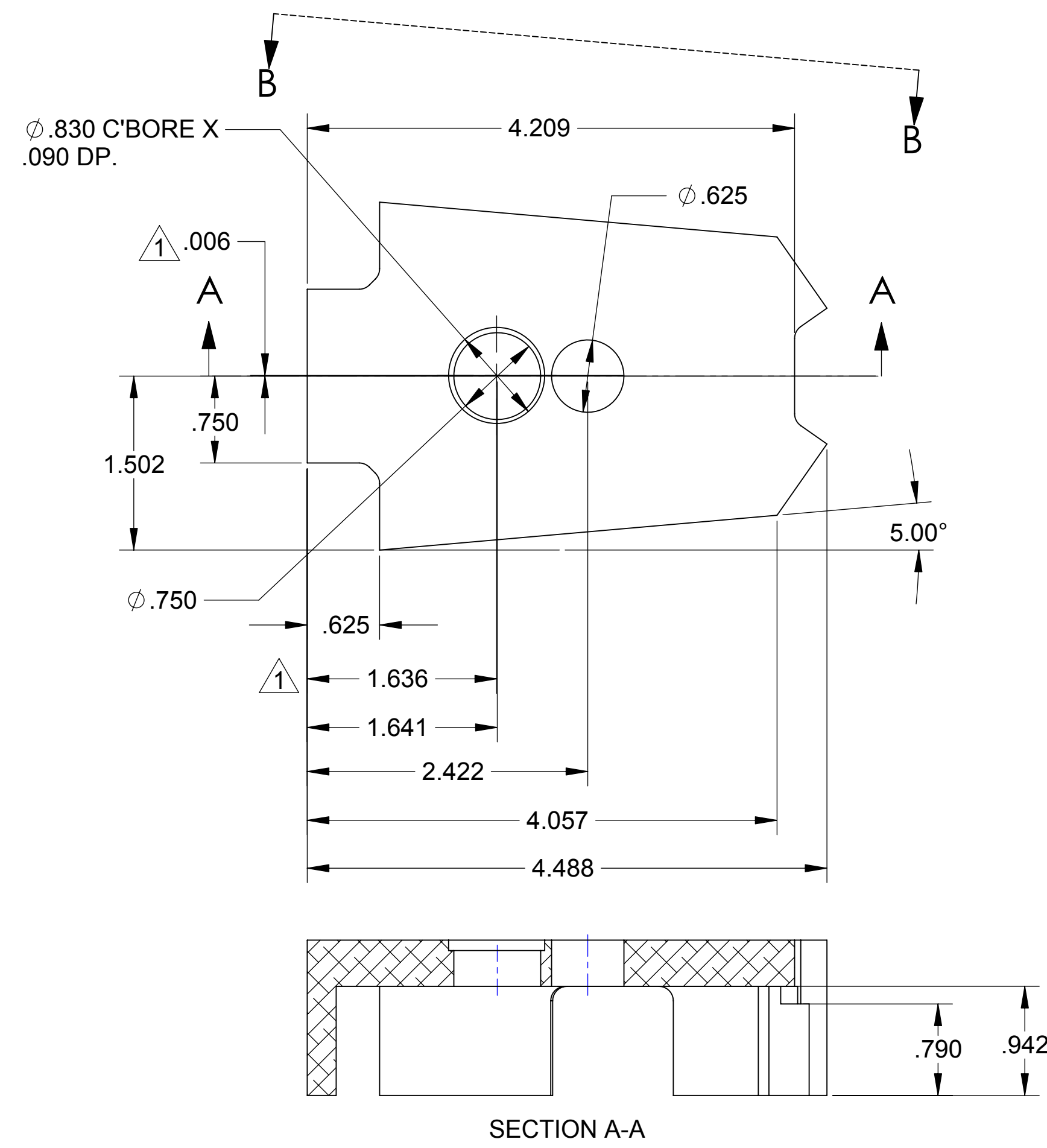
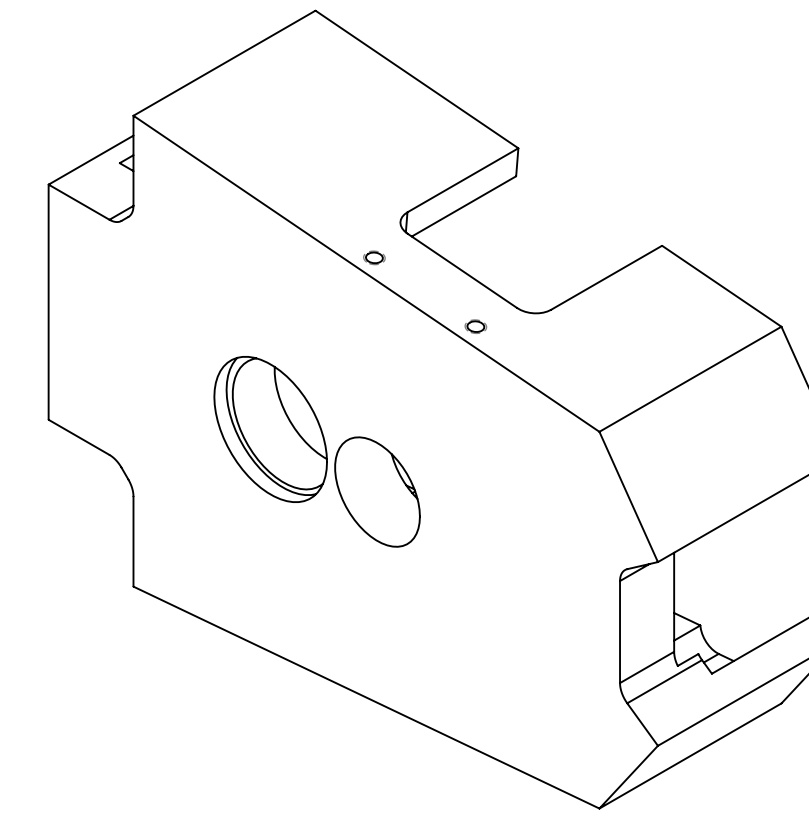
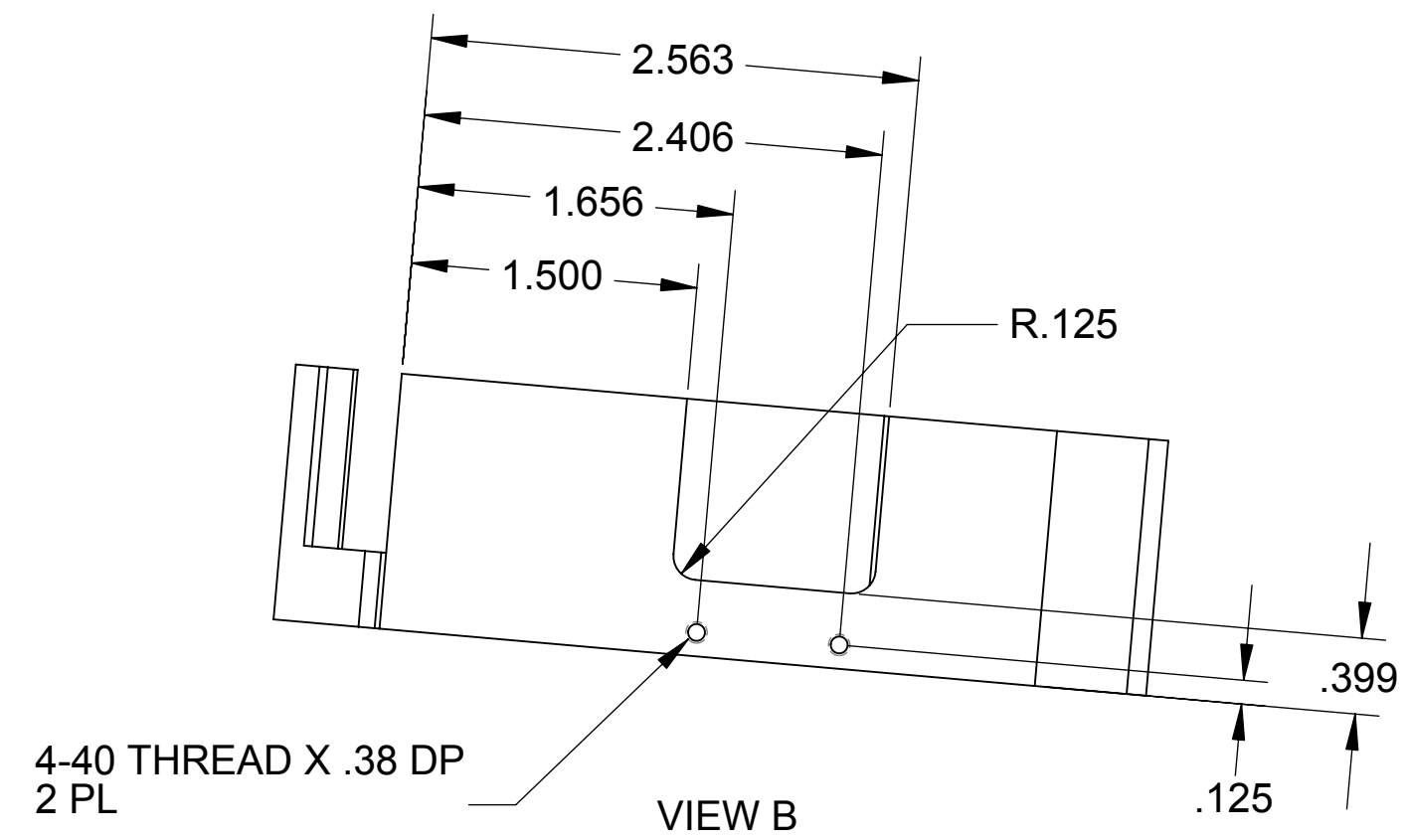
2

1

REVISIONS				
ZONE	LTR	DESCRIPTION	DATE	APPROVED

NOTES

1. DIMENSION APPLIES TO OFFSET C'BORE.



REFERENCE DRAWING MAKE 1

ITEM NO.	QTY REQD	PART OR IDENT NO.	NOMENCLATURE OR DESCRIPTION	MATERIAL/SPECIFICATION	ZONE
-1	1	MASK	BLACK DELRIN PER ASTM D4181		
PARTS LIST					
CONTRACT NO. HIGH ALTITUDE OBSERVATORY, A DIVISION OF NCAR					
3450 MITCHELL LANE BOULDER, COLORADO 80301 303-497-1000					
DRAWN C. CHAMBELLAN		DATE 11/12/2008		TITLE	
CHECK				SOLAR B LITTROW ALIGNMENT MASK	
ENGINEER				SIZE DWG NO.	
TECHNICIAN				REV. A	
PROJECT SCIENTIST				SCALE 1:1	
				RELEASE DATE XX/XX/XX	
				SHEET 1 OF 1	

UNLESS OTHERWISE SPECIFIED: DIMENSIONS ARE IN INCHES					
TOLERANCES					
DECIMALS		ANGULAR			
.XX ± .01		± 30°			
.XXX ± .005		DO NOT SCALE DRAWING			
TREATMENT					
FINISH					
PART NO.	NEXT DASH NO.	FINAL QTY REQD PER ASSY	1-XXXX	PROJECT USED ON	APPLICATION

8

7

6

5

4

3

2

1

D

D

C

C

B

B

A

A